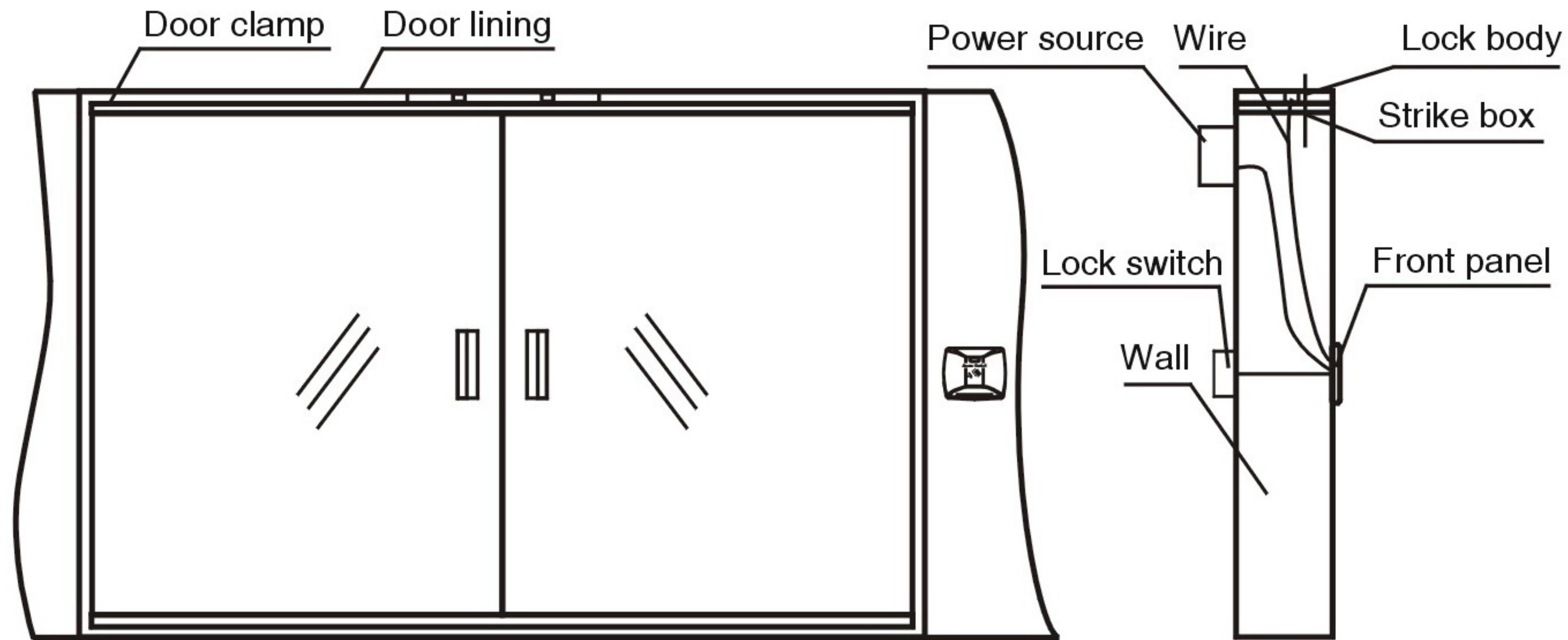


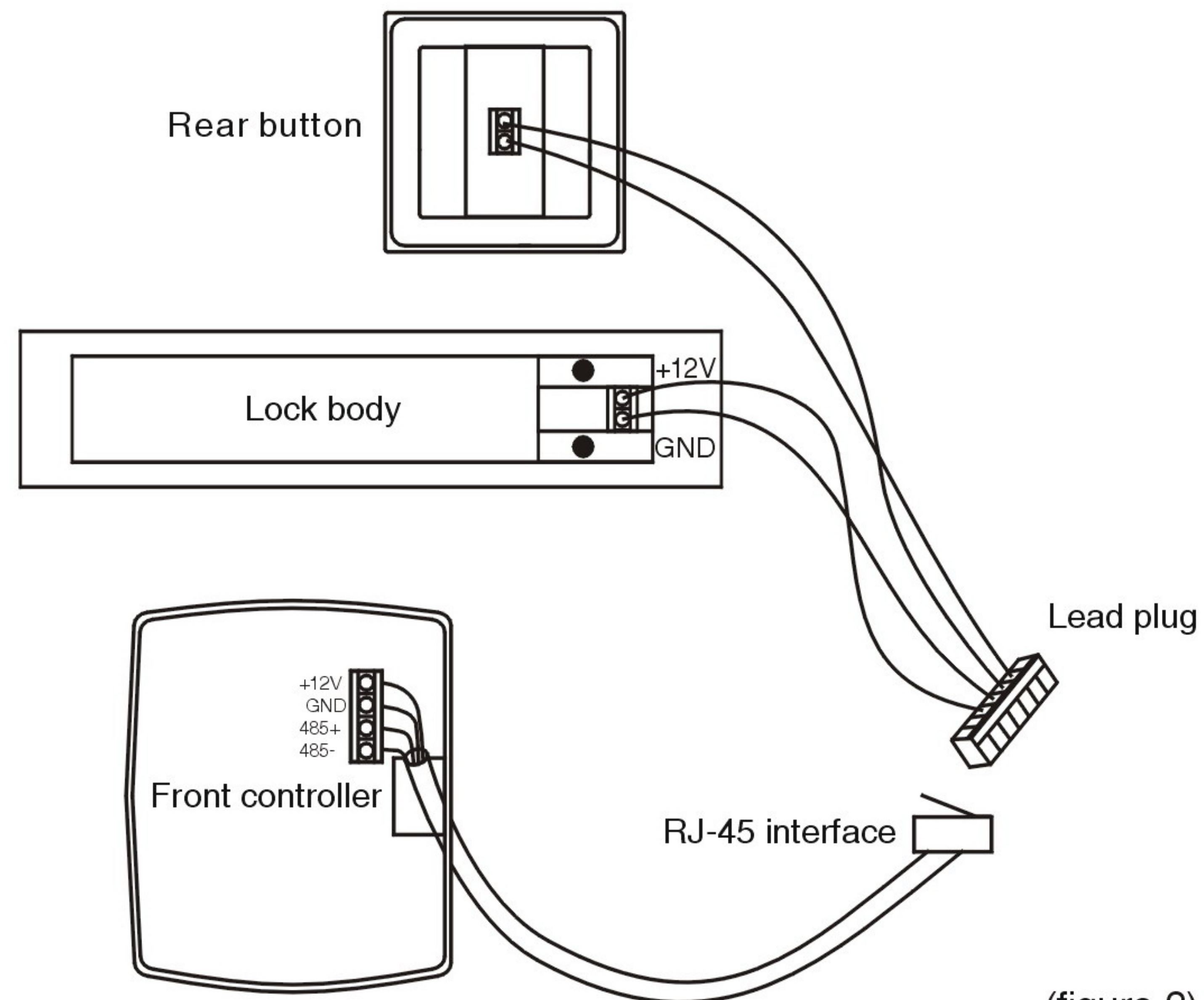
1. Installation Conditions

The glazed door should have door clamp, which width > 32mm and depth > 20mm. The door clamp for fixed the strike plate and use external power supply. The Access Control can be installed into the door on the thickness of 12mm. If the thickness of the door is over 12mm, please specify us when ordering.



(figure 1)

Referring to figure 2 before installation.



(figure 2)

